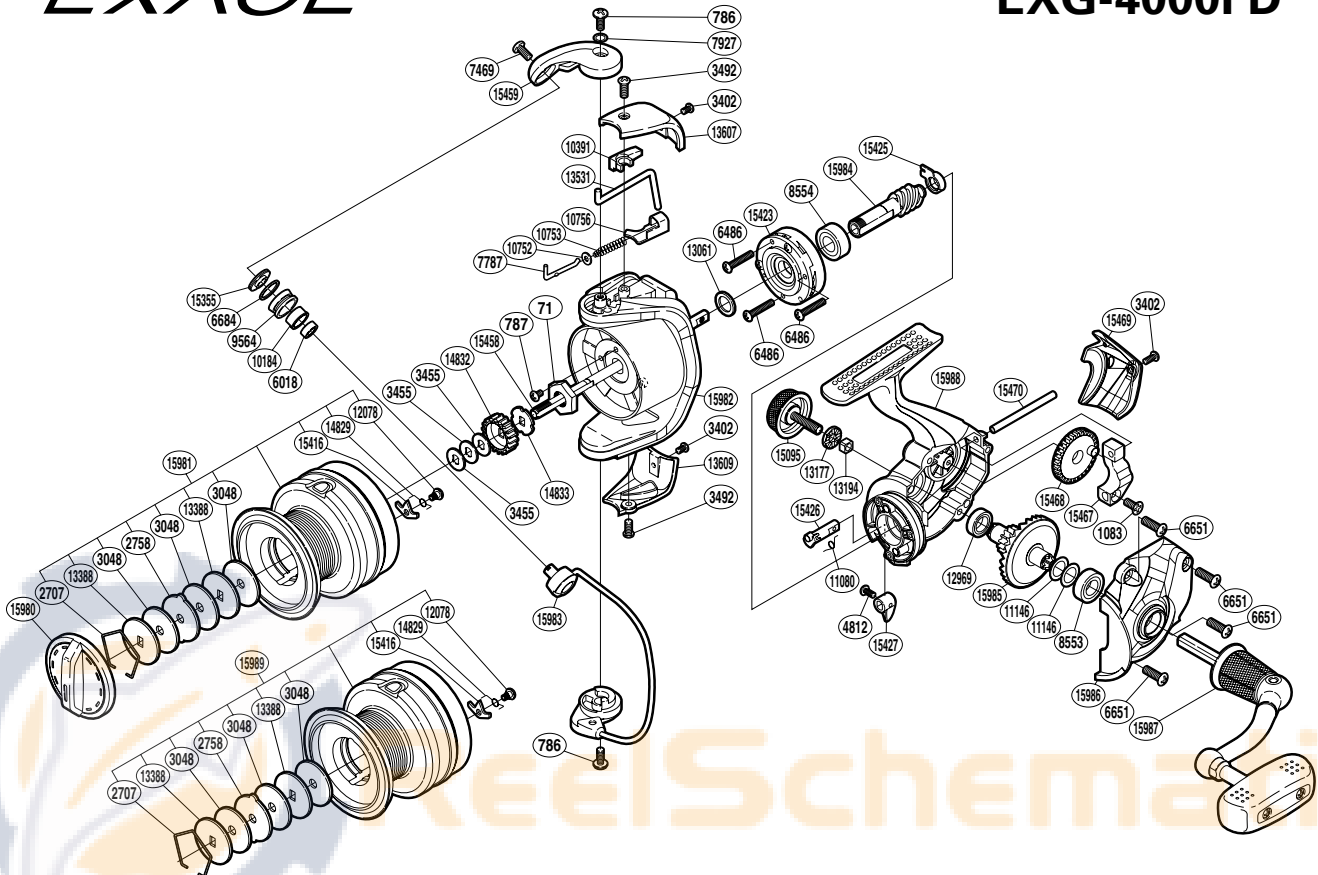


# SHIMANO

## EXAGE

## EXG-4000FD



Please note that the number of adjusting washers may not be the same as shown in the exploded views. (51SG794003G) (Adjustment will vary with each individual product.)

Part No.	Description	Part No.	Description	Part No.	Description
RD 0071	Rotor Nut	RD10753	Bail Spring ****	RD15459	Bail Arm
RD 0786	Screw ****	RD10756	Bail Spring Seat ****	RD15467	Oscillating Slider
RD 0787	Screw	RD11080	Anti-Reverse Cam Spring	RD15468	Oscillating Gear
RD 1083	Screw	RD11146	Washer **/*****	RD15469	Rear Protector
RD 2707	Drag Washers Retainer	RD12078	Screw *****	RD15470	Oscillating Guide
RD 2758	Eared Washer	RD12969	Ball Bearing *****	RD15980	Drag Knob
RD 3048	Drag Washer	RD13061	Washer	RD15981	Spool Assembly
RD 3402	Screw	RD13177	Handle Screw Cap Spacer	RD15982	Rotor
RD 3455	Spool Washer	RD13194	Handle Screw Lock	RD15983	Bail Assembly
RD 3492	Screw	RD13388	Key Washer	RD15984	Pinion Gear **
RD 4812	Screw	RD13531	Bail Trip Lever	RD15985	Drive Gear **
RD 6018	Ball Bearing *	RD13607	Bail Spring Cover	RD15986	Side Cover
RD 6486	Screw	RD13609	Bail Hold Support Guard	RD15987	Handle Assembly
RD 6651	Screw	RD14829	Drag Click Spring *****	RD15988	Body
RD 6684	Line Roller Spacer *	RD14832	Spool Support A		
RD 7469	Screw *	RD14833	Spool Support B	RD15989	Spare Spool Assembly
RD 7787	Bail Spring Guide A ****	RD15095	Handle Screw Cap		
RD 7927	Washer	RD15355	Line Roller Washer *		
RD 8553	Ball Bearing *****	RD15416	Drag Click *****		
RD 8554	Ball Bearing *****	RD15423	Roller Clutch Assembly	PK 0193	Line Roller Set *
RD 9564	Line Roller *	RD15425	Pinion Gear Bushing	PK 0194	Gear Set **
RD10184	Line Roller Bushing *	RD15426	Anti-Reverse Cam	PK 0195	Bail Spring Set ****
RD10391	Bail Trip Cover	RD15427	Anti-Reverse Lever	PK 0191	Bearing Set *****
RD10752	Bail Spring Guide A Support ****	RD15458	Main Shaft	PK 0192	Drag Clicker Set *****